



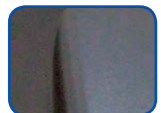
The Marine Grade Series offers a comprehensive range of mechanical access control solutions that have been developed specifically for marine applications whereby compliance to the ISPS code is essential. The Marine Grade series offers the perfect solution for applications where it is not possible or convenient to use an electronic or key driven access control.

Manufactured to the highest standards using stainless steel for all of the critical internal components the Marine Grade series has undergone extensive testing to ensure that the coding chamber is resistant to salt water corrosion. The exterior bodies have been MG Pro (Black) plated using a special e-plating process that has been successfully salt spray tested to over 1000 hours; which is guaranteed to last in the most arduous of conditions.

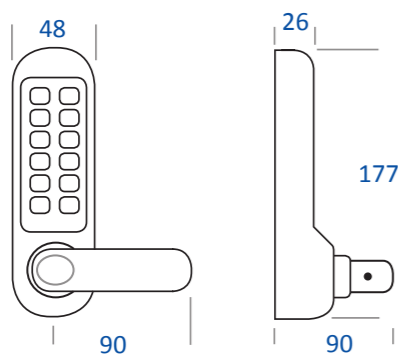
Features

- Weatherproof design
- 1000 hour salt spray tested
- ISPS compliant
- Cycle tested to 100,000 operations
- Non handed units-easily reversible on site (excludes the 2615 model)
- Optional free passage function (5200 models)
- Clutched keypad handles (5200 models)
- Holdback function (2601 & 2701 models)
- Back to back keypad models available (2621 & 5251 models)
- Over 2000 code combinations available (5200 models)
- Over 8000 code combinations available (2600 & 2700 models)

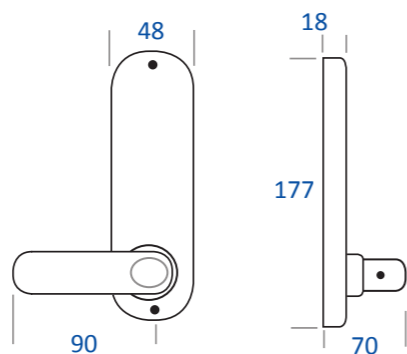
Available Finishes



Black (MG Pro)



5200 Series Keypad



5200 Series Inside Handle

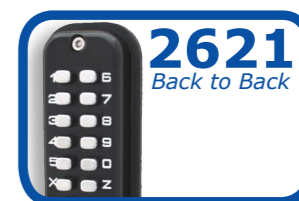
Medium Duty Models



2601 Holdback



2605 Rim Deadbolt



2621 Back to Back



2701 Key Override



2615 Horizontal Rim Deadbolt

NEW

Medium-Heavy Duty Models



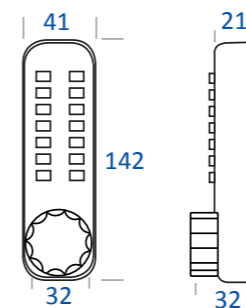
5201 Lever Handle



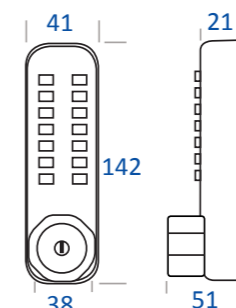
5208 Use With Push Pad



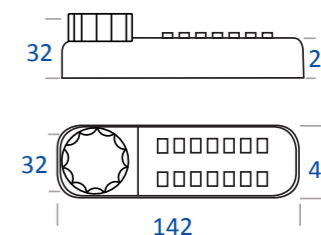
5251 Back to Back



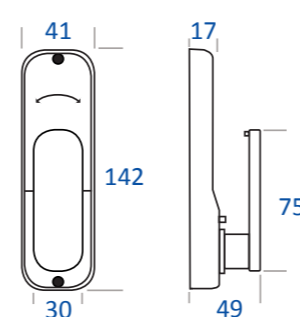
2600 Series Keypad



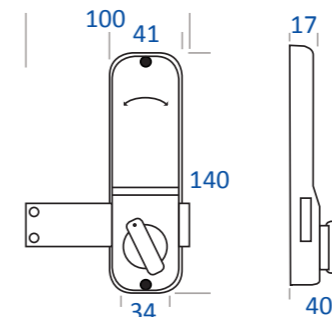
2700 Series Keypad



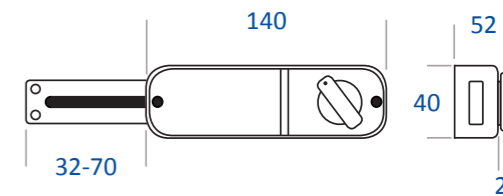
2615 Model Keypad



2601 & 2701 Models Inside Handle



2605 Model Rim Deadbolt



2615 Model Horizontal Rim Deadbolt