

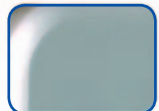


The New BL5000 Series is a range of mechanical pushbutton coded locks designed for applications where medium to heavy duty usage is expected.

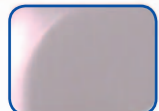
The new and improved BL5000 series design now offers a strengthened clutch and coding chamber as well as a new style of flat bar lever handle (old style round bar still available) This new model surpasses its predecessor and all other 5000 copies in the market.

Available in a number of different permutations there is a BL5000 series unit to suit almost every internal or external medium to heavy duty application.

Available Finishes



Satin Chrome



Satin Stainless



Polished Brass



Polished Chrome

- Features**
- New and improved clutch and coding chamber design.
 - Clutched keypad handle
 - Cycle tested to 100,000 operations
 - Over 2000 code combinations available
 - Optional Free passage function
 - PVD coated finish
 - Suitable for sheltered external applications
 - Non-handed keypad-easily reversible on site
 - Compatible with leading brands of panic hardware (5408 models)
 - Suitable for DDA applications (round bar handle models)

Handle Styles Available



5000
Round Bar Handle



5400
Flat Bar Handle



5100
Knob Handle

Locking Devices & Specialist Models



5401
Tubular Latch



5402
Ali-Latch

See Page 20



5403
Lockcase



5404
Escape Lock



5408
Use With
Push Pad



5409
Night Latch



5450
Back to Back

Fire Tested Models



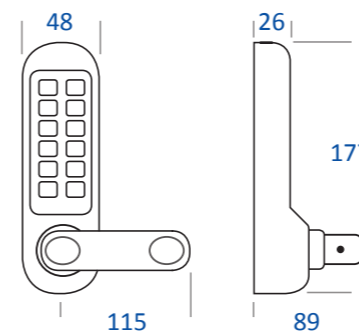
5401FT
Tubular Latch

See Page 21

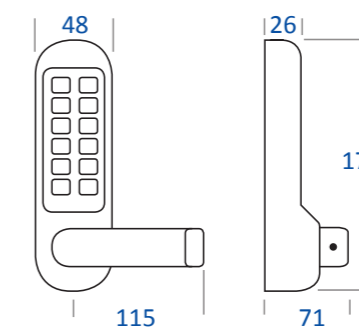


5403FT
Lockcase

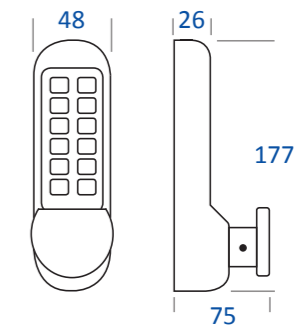
See Page 21



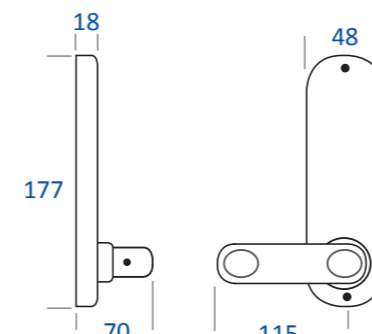
5000 Series Keypad



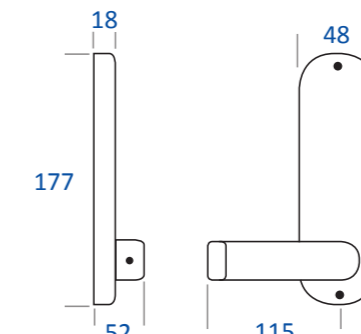
5400 Series Keypad



5100 Series Keypad



5000 Series Inside Handle



5400 Series Inside Handle