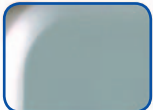




The BL2400 easicode series represents a medium duty range of access controls, suitable for applications where frequent code change is required. No longer will it be necessary to have to fiddle about with removing tumblers; the code can be changed in the hand with a simple push and twist with the code change tool provided.

The BL2400 series has been designed as a direct lever handle upgrade for our own standard BL2000 and competitors equivalent 2000 style models. The BL2400 series offers the benefit of a lever handle, a holdback function on the inside handle and a free turning handle until the correct code is entered.

Available Finishes

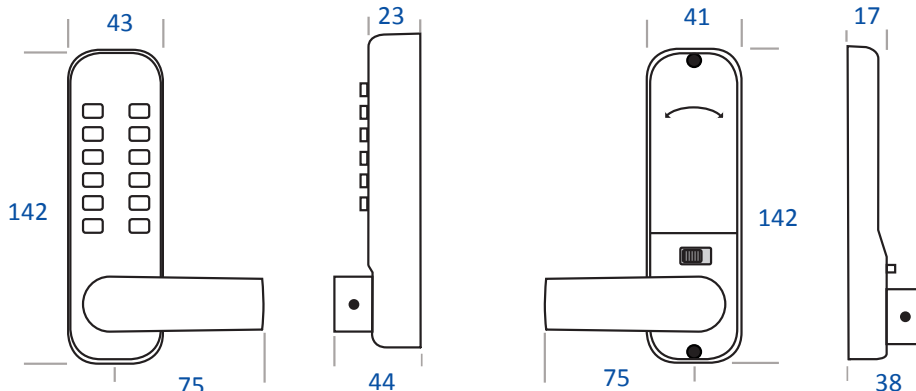


Satin Chrome



Features

- New easicode changing method no tumblers to remove
- Retro-fits virtually all 130mm fixing centred equivalent locks
- Easy grip lever handle
- Patented load plate design eliminates code cracking attempts
- Cycle tested to 50,000 operations
- 60mm latch as standard (28, 50 & 70mm available)
- Optional holdback function (2401 HB model)
- Non-handed keypad-easily reversible on site
- Over 2000 code combinations available
- Free turning handle until the correct code is entered
- Adaptor kit available to retrofit Unican 7014



2400 Series Keypad

2400 Series Inside Handle