

New
Design

Ali Latch Series



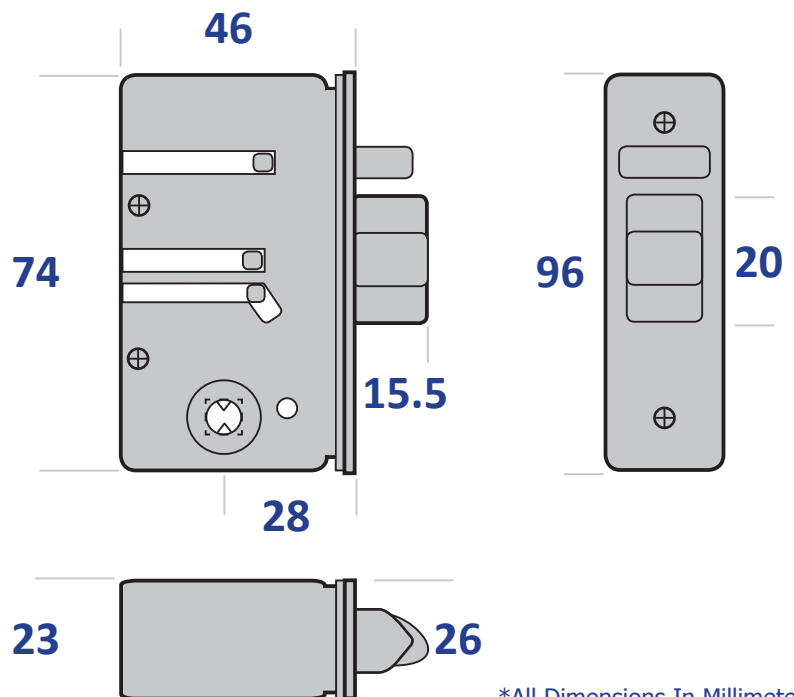
The new **Aluminium Latch Series** has been specifically designed for narrow stile aluminium section. Suitable for use with either single or pairs of doors and compatible with electric strike systems for situations where remote controlled access is required.

Key features include hardened steel pins to reinforce both the latch bolt and the anti-thrust pin and now available with a square spindle follower to allow the Ali Latch to work in conjunction with the BL5000 and BL6000 series range of locks.

Available with a standard keypad without the hold-back function on the inside handle (BL2002), a holdback version (BL2202), a back to back version (BL2022) and a key override model (BL2702) which is ideal for maintenance personnel. The BL5402 offers a full size lever handle with a free passage function and the BL6002 also offers a full size lever handle which is free turning until the correct code has been entered which is well suited for high traffic situations.

Features

- **New Compact Latch Design**
- Suitable For Narrow Stile Aluminium Or Wooden Doors
- Separate Anti-Thrust Pin
- Compatible with Electric Strikes
- Reinforced Latch & Anti-Thrust Pin
- 28mm Backset
- Low Friction Nylon Bolt Insert
- 15.5mm Bolt Projection
- 100,000 Cycles Tested



Borglocks

0800 44 88 377