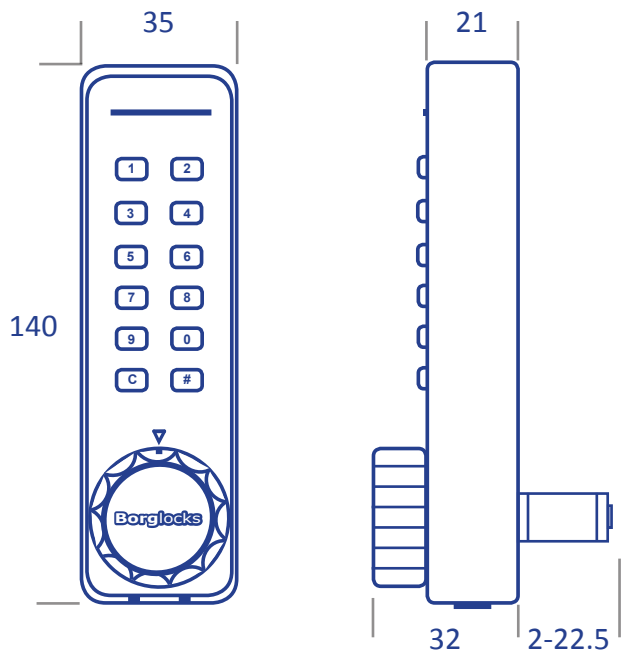




The **BL200 series** is an electronically operated pushbutton coded lock designed to work on a large range of cabinet and locker doors. The ergonomic design and simple operating procedure ensures access for authorised personnel only, whilst allowing users to change their own codes. The unit comes with 4 user levels, master code, sub-master code, user code and repeat-use mode making it ideal for use on gym lockers where the same code is only likely to be used once.

Each lock comes with 3 interchangeable cam pieces, 47mm offset cam and 35 or 45mm straight cam. The unit can be fitted to doors ranging from 2mm to 22.5mm thick and are universal to suit left and right hand hung doors.



Features

- Concealed key-override behind knob turn (keyed alike / differ)
- 1,000,000 sequential code combinations available
- Ten second lockout after three incorrect code attempts
- Suitable for doors 2 - 22.5mm thick
- Non-volatile memory
- Non-handed keypad - easily reversible on site
- External battery terminal in the event of power failure
- Up to 30 users with unique access codes
- 1 year guarantee against faulty materials and workmanship
- IP54 rated when fitted with optional gasket